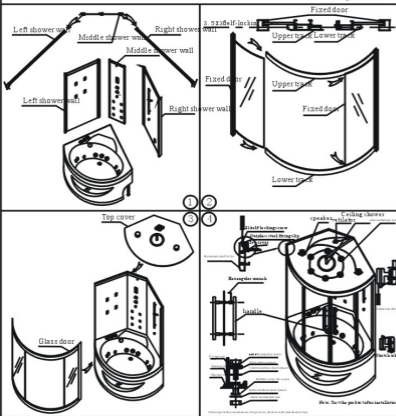


Tools: 1.5m water pipe(stainless steel surface)(2pcs) Small screw driver(2pcs) Cross screw driver(1pcs)
 Monkey wrench 1m aluminum ladder(1pcs) level bar(1 pcs)

Accessories: 3.5*0.30 self-locking screw(3pcs) 4X10self-locking screw(17pcs) 6X50 screw(4pcs)
 6mm Stainless steel nut(4pcs) 12mm flat washer(3pcs) Rubber cover for screw(4pcs)
 4mm stainless steel spacer(9pcs) Stainless steel fixing clip(3pcs) 3mm hexangular wrench(1pc)

- | | | | | |
|--------------------------------|--------------------------|-------------------------|----------------------------|----------------------|
| 1. Stainless steel fixing clip | 2. left shower wall | 3. glass shampoo holder | 4. adjusting valve | 5. air switch |
| 6. drainage | 7. chromatherapy lamp | 8. side nozzle | 9. drainage | 10. shower tray |
| 11. skirt panel | 12. glass for bathtub | 13. middle shower wall | 14. touching control panel | 15. faucet |
| 16. filth-remove box | 17. nozzle on back panel | 18. ventilator | 19. chromatherapy lamp | 20. fluorescent lamp |
| 21. speaker | 22. ceiling shower | 23. top cover | 24. right shower wall | 25. shower bar |
| 26. shower | 27. shower hose | 28. shower holder | 29. upper track | 30. fixed door |
| 31. steam nozzle | 32. handle | 33. movable door | 34. lower track | 35. adjusting leg |



Installation Procedures:

- Put the shower tray onto installing position and make it level with level bar, get left & right shower wall and middle shower wall connected with the help of 4 $\square \square 10$ self-locking screws, then put them on shower tray (As illustrated in drawing 1)
- Get upper & lower tracks and fixed door connected with M3.5*30 self-locking screw (As illustrated in drawing 2)
- Put glass door onto shower tray and get them fixed with M4*10 self-locking screw (As illustrated in drawing 3-4)
- Put top cover onto the top of shower wall and get them fixed with M4*10 self-locking screw, and then get shower wall and shower tray fixed with M6*50 screw, then install movable door and handle. (Note: the adjustable one is the upper wheel, while the stretch one is the lower wheel. Hang the upper wheel on the upper track when installing, and then press the lower wheel to hook the lower track. If the left and right door can't be closed well, adjust them with screw driver as illustrated in drawing 4)